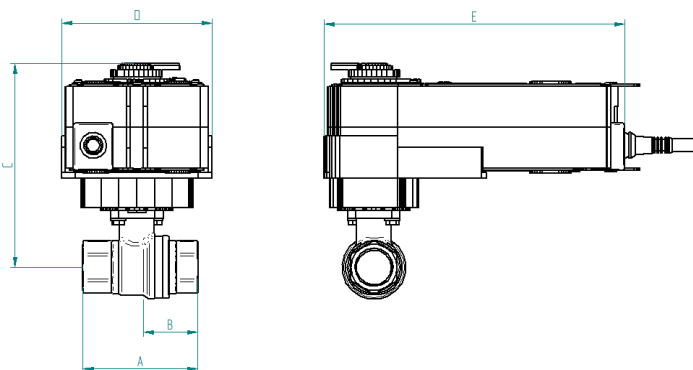


Electrically Operated Ball Valve 'EBV' Series

Key Features & Operation

- Cost effective solution for isolation of fuel lines
- Suitable for generators and similar applications
- Universal power module that operates on both AC and DC supply voltages.
- Isolation valve has seals compatible with fuel oil, diesel and bio-diesels
- Securely mounted for engine vibration
- 2 x Auxiliary Switches
- Manual Override

Energising the actuator rotates the ball valve to the open position whilst tensioning a mechanical return spring, when de-energised, auxiliary switch activated or upon loss of power the return spring will assist closure for reliable trouble-free operation



Part Number	Size	A	B	C	D	E	Weight
10905001	1/2"	75	30.5	129	103	222	2.5
10905002	3/4"	80	37	136.5	103	222	2.7
10905003	1"	90	45.5	140.5	103	222	2.7
10905004	1 1/4"	110	52	153.5	103	222	3.4
10905005	1 1/2"	120	59	160	103	222	4.1
10905006	2"	140	67.5	167	103	222	5.4

Technical Specification

Nominal Voltage: AC 24...240V, 50/60Hz / DC 24...125V
Nominal Voltage Range: AC 19.2...264V / DC 21.6...137.5V
Max Working Pressure: -
 1/2" to 3/4" = 40 Bar
 1" to 2" = 16 Bar
Process Connection: FxF ISO 228 BSPP threads
Optional: Screwed NPT, Flanged PN16 / ANSI150 - Consult sales
Body, Ball & Stem Material: Brass CW617N Nickel Plated
 Optional: Carbon Steel, Stainless Steel
O rings: FKM
Seat Material: Graphite filled PTFE
Power Consumption: -
 In operation: 7W @ nominal torque
 At rest: 3.5W
 For wire sizing: 18VA
 Auxiliary switch: 2 x SPDT, 1 x 10% / 1 x 11...90%
Electrical Connection: -
 Motor Cable 1m, 2 x 0.75mm²
 Auxiliary switch Cable 1m, 6 x 0.75mm²
Manual Override: Hand crank and interlocking switch
Rotation: Actuator can be mounted in 90° Increments
Sound Power Level
 Motor ≤45dB(A)
 Spring return ≤62dB(A)
Position Indication: Mechanical
Degree of Protection / Compliance: IP54, NEMA 2, UL
 Enclosure Type 2 EMC Low-voltage directive CE according to 2004/108/EC CE according to 2006/95/EC
 Certified to IEC/EN 60730-1 and IEC/EN 60730- 2-14 Mode of operation Type 1.AA. B
Rated Impulse Voltage Actuator Auxiliary switch 4kV 2.5kV
 Control pollution degree 3
Working Ambient Temperature: -20...+50°C
Ambient Humidity: 95% r.h., non-condensating
Maintenance: Maintenance-free

- To be installed by suitably trained personnel. Any legal regulations or regulations issued by authorities must be observed during installation.
 - The cable must not be removed from the device.
 - The device contains electrical and electronic components do not dispose of as household refuse.
- All local regulations and requirements must be observed.

Electrical Wiring

