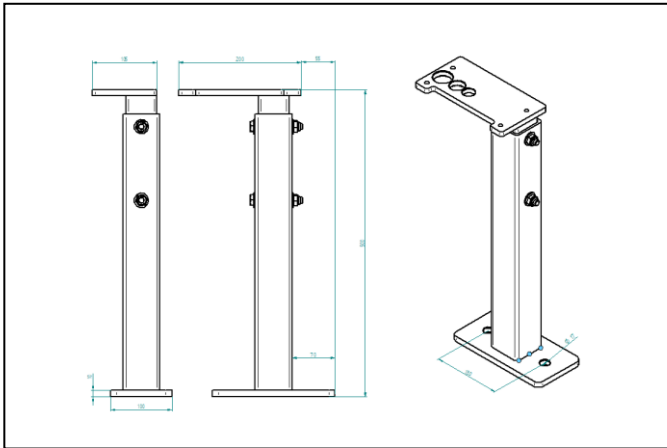


10903756 Free Fall Mounting Bracket

½" to 1" Vertical Free Fall Fire Valve adjustable
Mounting Bracket complete with bulk head fitting.

Technical Specification

Material:	Powder Coated mild steel
Colour:	Black
Fixing Centres:	130mm
Mounting Holes:	17mm
Fixing (Concrete Subbase):	Anchor Bolt (Not Supplied)
Fixing (Steel subase):	Bolt or Weld
Height (Floor to bracket):	500mm to 650mm (Adjustable 30mm increments)
Floor plate thickness:	10mm
Bulk Head connection:	BSPB with 60° Cone



Part Number	Description
10903756-1	Vertical Mounting Bracket with ½" BSPB Bulk Head fitting
10903756-2	Vertical Mounting Bracket with ¾" BSPB Bulk Head fitting
10903756-3	Vertical Mounting Bracket with 1" BSPB Bulk Head fitting