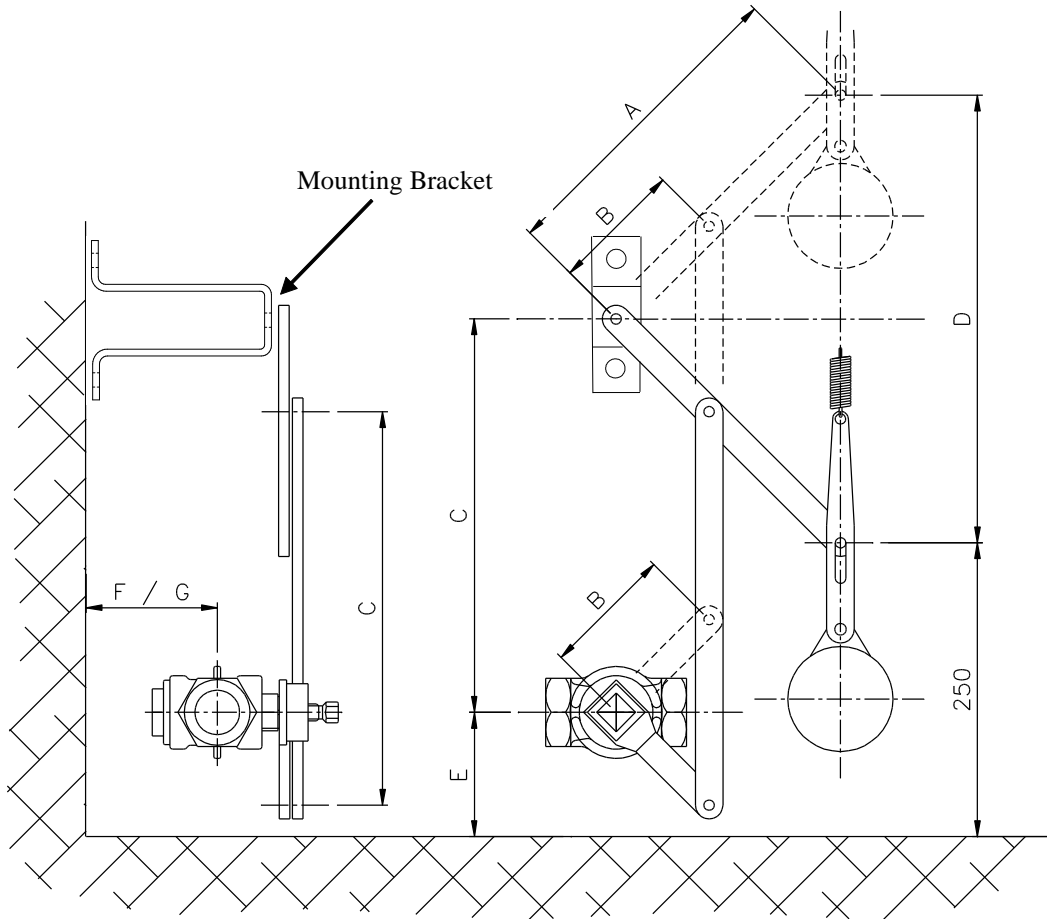


## FIRE VALVE SPECIAL LINKAGE MKII

The special linkage is used when the free-fall valve installation is too low for a normal lever and weight arrangement. The linkage can be fitted to flanged or

screwed valves from 1" to 6" in size. The linkage is constructed from mild steel and is painted red in colour.

### Dimensions (not to scale)



PART NUMBER	Valve Size	A lever length	B lever length	C link length	D drop	E min clearance	F min dist from wall	Weight
10903401H	1"	330	76	386	467	89	76	1x 5lb
10903402H	1¼"	330	76	386	467	89	76	1x 5lb
10903402H	1½"	330	76	386	467	89	76	1x 10lb
10903404H	2"	394	76	419	548	108	102	1x 15lb
10903406H	2½"	432	46	508	682	127	110	1x 15lb
10903406H	3"	432	46	508	682	127	152	1x 15lb
10903407H	4"†	610	124	546	610	127	165	2x 15lb
10903408H	5"†	1067	238	779	1508	216	178	2x 15lb
10903409H	6"†	1067	238	779	1508	216	203	4x 15lb

† The 4", 5" and 6" valves are only available in flanged versions

**INSTALLATION** The valve is installed as normal with the special linkage attached vertically above the valve at a position C (see diagram) above the centre-line of the valve. The weight(s) are attached to the end of the linkage in a similar manner to the standard valve arrangement. (See fire valve datasheet)

The mounting bracket should be securely mounted to a wall or suitable structure, The bracket is provided with 2 x 12.5mm diameter holes.

If you have any questions or need any help then please contact our sales office.