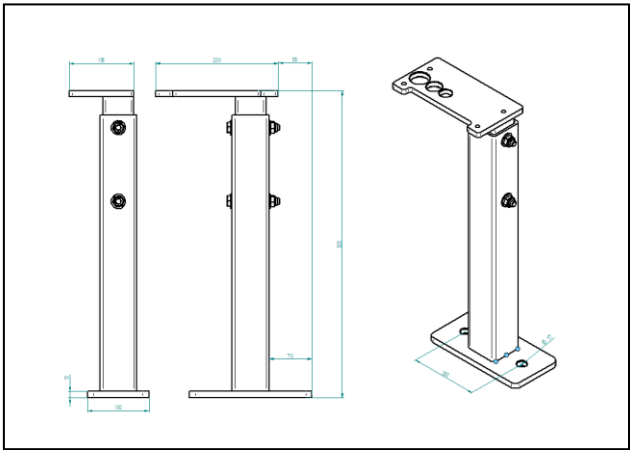


## 10903758 & 10903758-SB Free Fall Mounting Bracket & Switch

Free Fall Fire Valve Mounting Bracket and Position Switch  
Horizontal 10903758 & 10903758-SB.

The Free Fall Fire Valve Mounting Bracket for Horizontal mounting applications simplifies installation of the Free Fall fire valve. It reduces installation time and costly bespoke designs that can encounter inherent problems. The bracket can be fitted to screwed valves from 1/2" to 1" in size, it is constructed from mild steel and is painted black in colour and is height adjustable. A volt free position switch mounted to separate bracket can be incorporated capable of up to 6A switching.

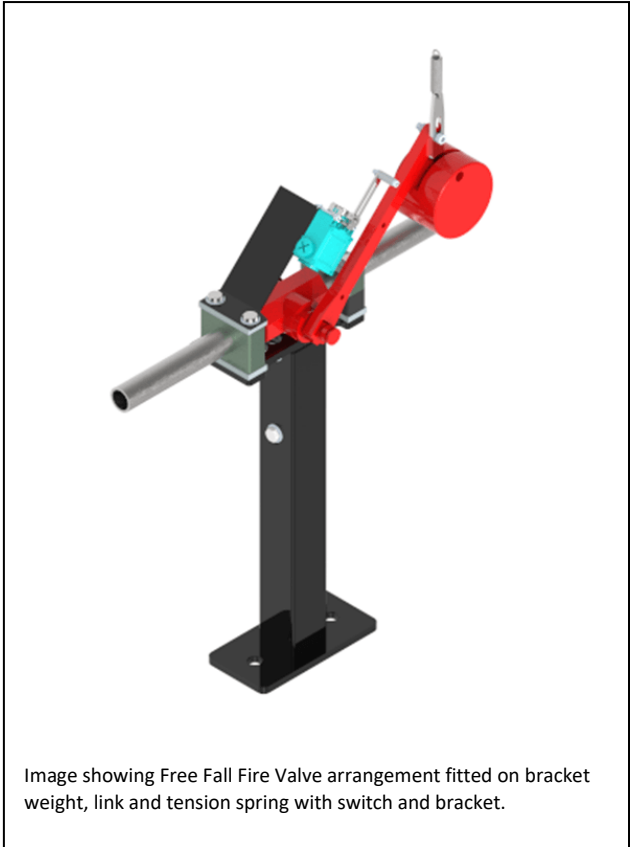


**Technical Specification – Switch and bracket**  
**Part number: 10903758-SB**

Pole and Throw Configuration	DPST
Normal State Configuration	1NO/1NC
IP Rating	IP65
Maximum Current	10A
Housing Material	Plastic Casing
Maximum AC Voltage	400V
Maximum DC Voltage	250V
Connection Type	M20 x 1.5
Minimum Operating Temperature	-40°C
Standards Met	UL CSA IMQ IEC 957-5-1 EN 60 947-5-1
Maximum Operating Temperature	+70°C

**Technical Specification - Bracket**

Material:	Powder Coated mild steel
Colour:	Black
Fixing Centres:	130mm
Mounting Holes:	17mm
Fixing (Concrete Subase):	Anchor Bolt (Not Supplied)
Fixing (Steel subase):	Bolt or Weld
Height (Floor to bracket):	500mm to 650mm (Adjustable 30mm increments)
Floor plate thickness:	10mm



Mounting Stand Only Part Number	Description
<b>10903758-1</b>	Horizontal Mounting Bracket with 1/2" pipe mounts
<b>10903758-2</b>	Horizontal Mounting Bracket with 3/4" pipe mounts
<b>10903758-3</b>	Horizontal Mounting Bracket with 1" pipe mounts